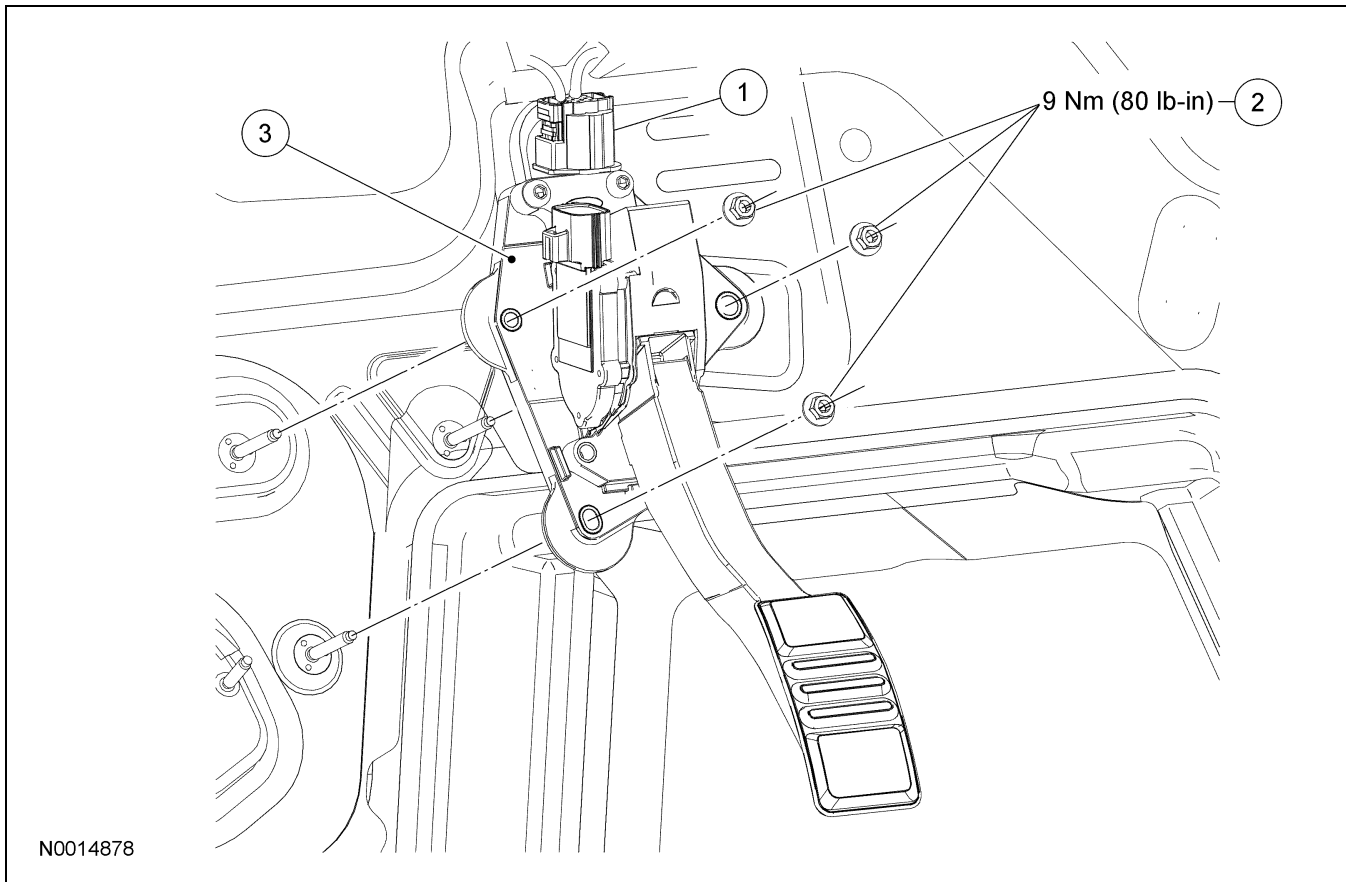


REMOVAL AND INSTALLATION

Accelerator Pedal



Item	Part Number	Description
1	14A464	Accelerator pedal sensor electrical connector
2	99891-600	Accelerator pedal sensor retaining nuts (3 required)
3	9N792	Accelerator pedal and sensor assembly

2. Remove the 3 accelerator pedal and sensor retaining nuts.
 - To install, tighten to 9 Nm (80 lb-in).
3. Remove the accelerator pedal and sensor assembly.
4. To install, reverse the removal procedure.

Removal and Installation

1. Disconnect the accelerator pedal sensor electrical connector.
 - Upon installation, make sure that the red lock tab on the electrical connector is fully engaged to ensure a complete connection.